

BYD ATTO 2

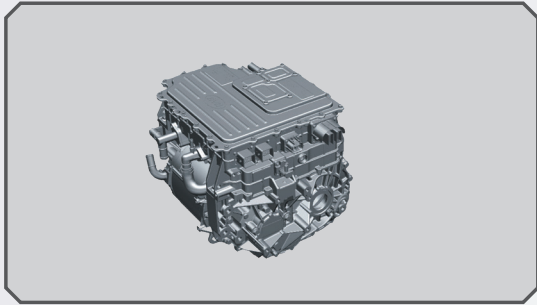


345 KM*
WLTP RANGE

100KW
MOTOR POWER

200MM*
GROUND CLEARANCE

290Nm
TORQUE



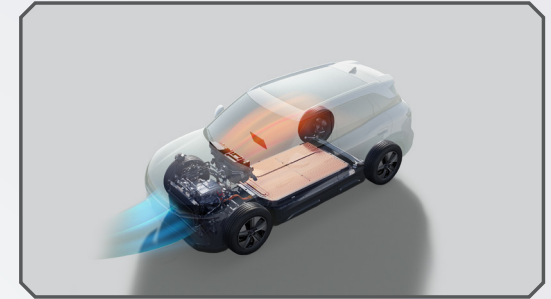
8-IN-1 ELECTRIC POWERTRAIN

The world's first mass-produced 8-in-1 Electric Powertrain system, which combines all essential elements into a single module, maximising space utilisation and improving efficiency



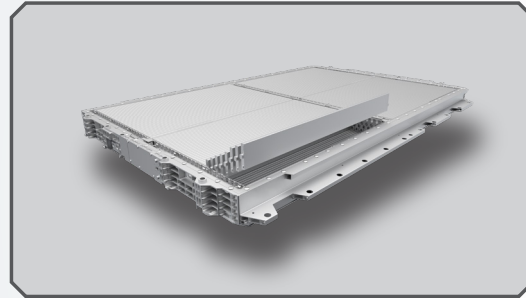
CELL TO BODY TECHNOLOGY

The Blade Battery is seamlessly integrated into the car's body, creating a strong sandwich structure that boosts torsional stiffness by 32%, enhancing safety, stability, and handling.



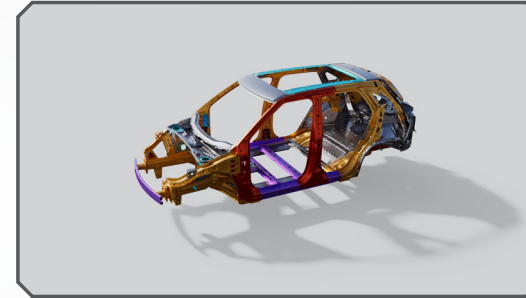
HIGH EFFICIENCY HEAT PUMP SYSTEM

The system operates reliably across a wide temperature range, efficiently reusing residual heat to boost thermal efficiency and reduce energy loss. As a result, the low-temperature driving range increases by 20%.



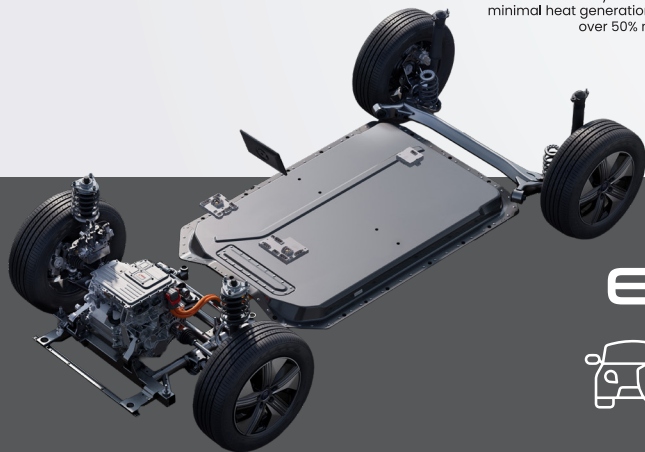
BLADE BATTERY

BYD's Blade Battery sets new standards with higher safety, slower heat release, and minimal heat generation. Its innovative design boosts space utilization, delivering over 50% more capacity than traditional LFP batteries.



HIGH STRENGTH BODY

Built with over 80% high-strength steel, including ultra-high strength reinforcements in key areas, the body delivers superior rigidity and safety for every drive.



E-PLATFORM 3.0



ULTRA-SAFETY
Designed with unique architecture to increase rigidity & overall safety.



INTELLIGENCE
Equipped with BYD Operating System to deliver instant updates & requests at your command.



AESTHETICS
With front – wheel, rear wheel & four – wheel driving modes tailored for your adventure.



PURE EV PLATFORM
Exclusively designed for electric vehicles.

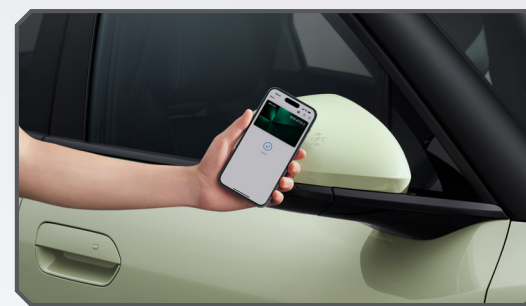




DRAGON FACE DESIGN



MOBIUS RING TAILLIGHTS



BYD APP CONNECTIVITY & DIGITAL KEY



50W WIRELESS VENTILATED CHARGING



8.8" LCD DIGITAL INSTRUMENT PANEL



12.8" INTELLIGENT ROTATING TOUCH SCREEN KEY



SMART STORAGE



VEGAN LEATHER VENTILATED SEAT

BYD ATTO 2 Specification

Dimensions	
Overall length (mm)	4,310
Overall width (mm)	1,830
Overall height (mm)	1,675
Wheel track - front/rear (mm)	1570/1570
Wheelbase (mm)	2,620
Luggage capacity - Min (L)	380
Luggage capacity - Max (L)	1320
Ground Clearance (mm)	200*
Powertain	
Motor type	Permanent magnet synchronous motor
Drivetrain	Front -wheel drive
Maximum power (kW)	100
Maximum torque (N-m)	290
Performance	
Acceleration 0-100km/h (s)	9
Driving range: WLTP (km)	345
Seating capacity	5
Battery type	BYD Blade Battery
Battery capacity (kWh)	51.13
Chassis	
Front suspension	Macpherson strut
Rear suspension	Torsion Beam
Front brake	Ventilated disc
Rear brake	Disc
Wheel type	Alloy
Tyre size	215/60 R17
New Energy	
Portable charging cable (mode 2)	•
AC charging port - Type 2 (7kW)	•
7kW Wall-mounted charger	•
DC charging port - CCS 2 (82kW)	•
V2L function	•
V2L discharge adapter	•
Safety and Security	
Front airbags - driver & front passenger	•
Side airbags - driver & front passenger	•
Side curtain airbags - front & rear	•
Seat belt reminder - front seats only	•
Seat belt reminder - front & rear	•
Tyre Pressure Monitoring System (TPMS)	•
ISOFIX child restraint anchorage points (outer rear seats)	•
Anti-Lock Braking System (ABS)	•
Electric Parking Brake System (EPB)	•
Electronic Stability Control (ESC)	•
"Traction Control System (TCS)"	•
Electronic Brake Force Distribution (EBD)	•
Hill Descent Control (HDC)	•
Brake Override System (BOS)	•
360° view monitor	•

Front 2 radars	•
Rear 4 radars	•
Auto hold	•
Adaptive Cruise Control (ACC)	•
Intelligent Cruise Control (ICC)	•
Intelligent Speed Limit Information (ISLI)	•
Traffic Sign Recognition (TSR)	•
Intelligent Speed Limit Control (ISLC)	•
Front Collision Warning (FCW)	•
Lane Departure Warning (LDW)	•
Traffic Jam Assit (TJA)	•
Auto Emergency Brake (AEB)	•
Lane Departure Assit (LDA)	•
Exterior	
Electric unlock tailgate	•
One-touch open / close tailgate Manually	•
Rain Sensing Wiper	•
Electrically heated and adjustable exterior mirrors	•
Electrically retractable exterior mirrors	•
Interior	
Steering wheel mounted controls - audio, phone, CCS and multi-function display	•
Electric power assisted steering system	•
8.8" LCD digital instrument panel	•
Auto dimming interior rear view mirror	•
Synthetic leather seat	•
Centre console storage compartment	•
60/40 split fold rear seats	•
6-way power adjustment - driver seat	•
Front seat ventilation	•
4-way power adjustment- front passenger seat	•

Entertainment	
FM radio	•
*Bluetooth® phone connectivity and audio streaming	•
12.8" intelligent Rotating touch screen	•
8 speakers	•
*Apple CarPlay® and Android Auto™ (wireless&wired)	•
Voice assistant - English	•
USB × 2, Centre console	typeA+ typeC
USB × 2, Rear	typeA+ typeC
Light	
LED headlight	•
Follow me home headlight	•
LED daytime running light	•
LED taillight bar	•
LED high mounted brake light	•
Sub Instrument Panel Light	•
LED front reading light	•
LED rear reading light	•
Luggage compartment light	•
Comfort & Convenience	
12V socket	•
50W Phone Wireless Charging front ×1	•
Keyless entry & Keyless start	•
Portable card key	•
BYD Digital Key	•
Bluetooth Key	•
4-door window one touch up-down with anti-pinch	•
Tyre repair kit	•
Air Conditioning	
Automatic air-conditioning	•
PM2.5 high-efficiency filter (without displayed value)	•

Colors



Ski White



Harbour Grey



Cosmos Black



Breeze Green

Dimensions



1570mm
1830mm



2620mm
4310mm



1830mm
1675mm

NOTE

- The real Range is influenced by many factors such as individual driving style, load, traffic etc. The declared range is estimated for reference only.
- Bluetooth® is a registered trademark of Bluetooth SIG, Inc. Compatibility and functionality varies depending on device.
- Apple CarPlay® is a registered trade mark of Apple Inc. Requires compatible device, USB connection
- Android Auto™ is a registered trade mark of Google Inc. Requires compatible device, and wireless Android Auto™ is compatible with an active data plan, 5 GHz Wi-Fi support, and the latest version.
- Add the BYD Digital Key to compatible iOS or Android devices, which include iPhone, Samsung Galaxy or Google Pixel™.
- Please check the list of supported devices in the BYD APP or "Vehicle Settings/Digital Key" on the car display.
- Colours depicted are a guide only and may vary from actual colours due to the printing.
- Driving assist system are not a substitute for the driver's responsibility of the vehicle.
- BYD reserves the right to vary vehicle specifications and standard features from those detailed in this brochure.



CIMEX INC. PVT. LTD.
Naxal, Kathmandu
01-5970733, 9802396101
cimex.com.np

BANEPA: 9801846261 | BHAIRAHAWA: 9857088804 | BHAKTAPUR: 9851038377 | BIRATNAGAR: 9820730353
BIRGUNJ: 9855022964 | BIRTAMODE: 9817021197 | BUTWAL: 9857088805 | CHITWAN : 9801368497
DAMAK: 9842753415 | DANG: 9766682137 | DHANGADI: 9801020415 | ITAHARI: 9802600501
JANAKPUR : 9844039594 | LAHAN: 9824705794 | LALITPUR: 9801981531 | NARAYANGHAT: 9801368497
NEPALGUNJ: 9858061501 | POKHARA: 9801097284 | SOLTEEMODE: 9801188666